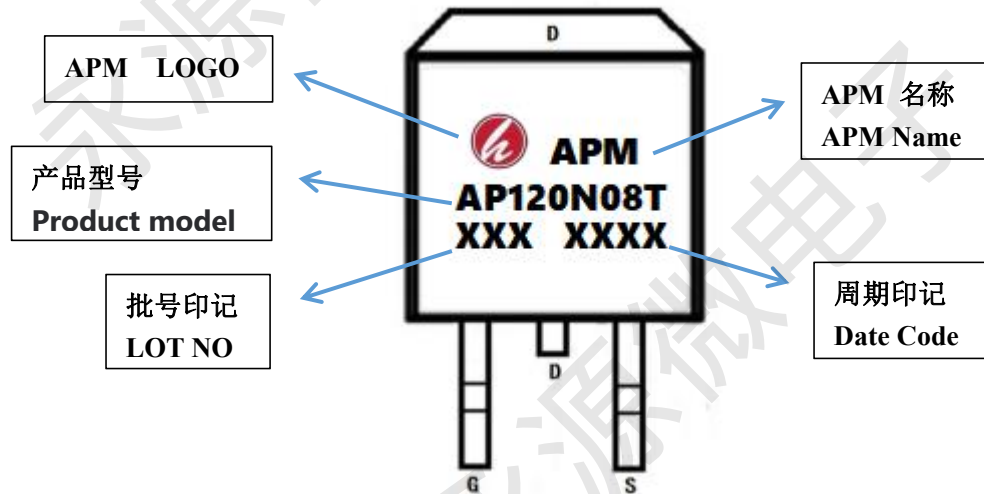
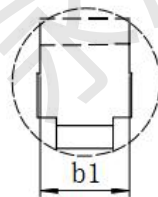
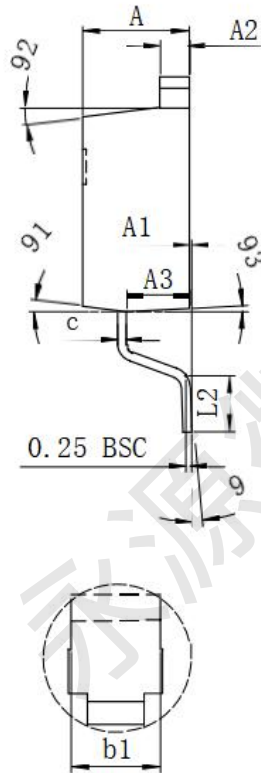
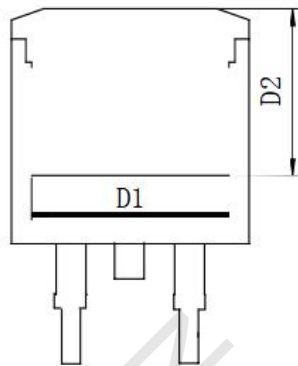
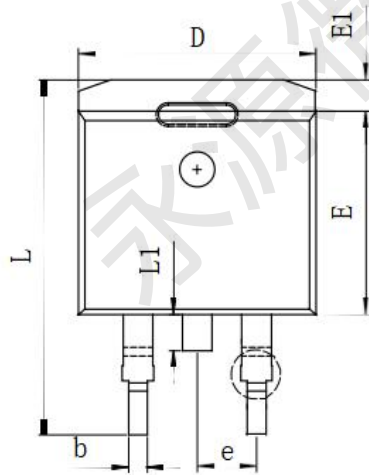


Screening Instructions

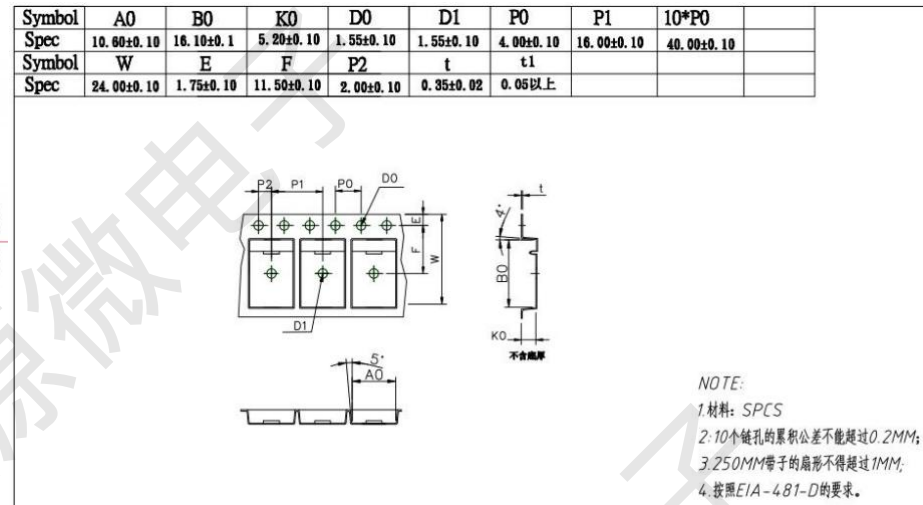
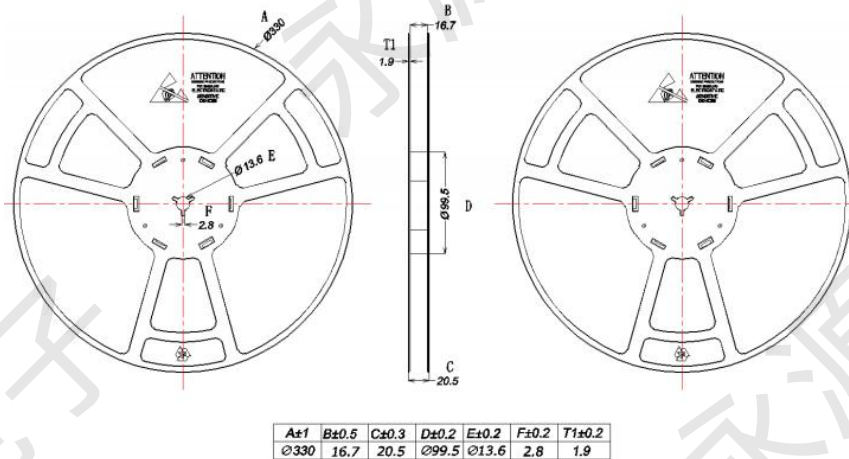


Package Mechanical Data-TO263-3L --- B



SYMBOL	MILLIMETER		
	MIN	TYP.	MAX
A	4.370	4.570	4.770
A1	0.000		0.250
A2	1.220	1.270	1.420
A3	2.490	2.690	2.890
b	0.700	0.810	0.960
b1	1.170	1.270	1.470
c	0.300	0.380	0.530
D	9.860	10.160	10.360
D1	8.400 REF		
D2	7.073 REF		
E	8.500	8.700	8.900
E1	1.070	1.270	1.470
e	2.540 TYP		
L	14.700	15.100	15.500
L1	1.400	1.550	1.700
L2	2.000	2.300	2.600
9	0.		9.
91	7. TYP		
92	7. TYP		
93	3. TYP		

Reel Specification-TO-263-3L



Package Quantity

封装形式 Encapsulation mode	包装方式 Modes of packing	包装数量(Package quantity)/重量 (Weight)		
TO263-3L	盘/Reel	800PCS/盘 (Reel)	800PCS/内盒 (Inner Carton)	4000PCS/箱 (Box)
		1.561KG	1.824KG	9.894KG